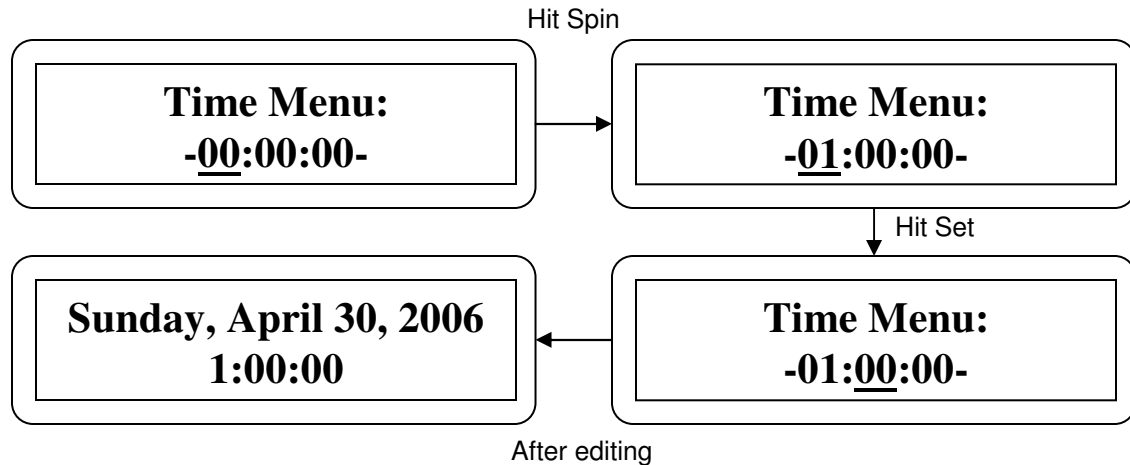


Multiples Alarm clock



Clock Operational display.

The overall idea behind this project was to design a new type of alarm clock with a set-it and forget it type attitude. This alarm clock features multiple alarm times and different settings to allow you to set them for minimal use.

The different Alarm settings allow you to choose from Daily, Weekly, Weekend, Weekly, Monthly or Yearly alarm.

Key Features

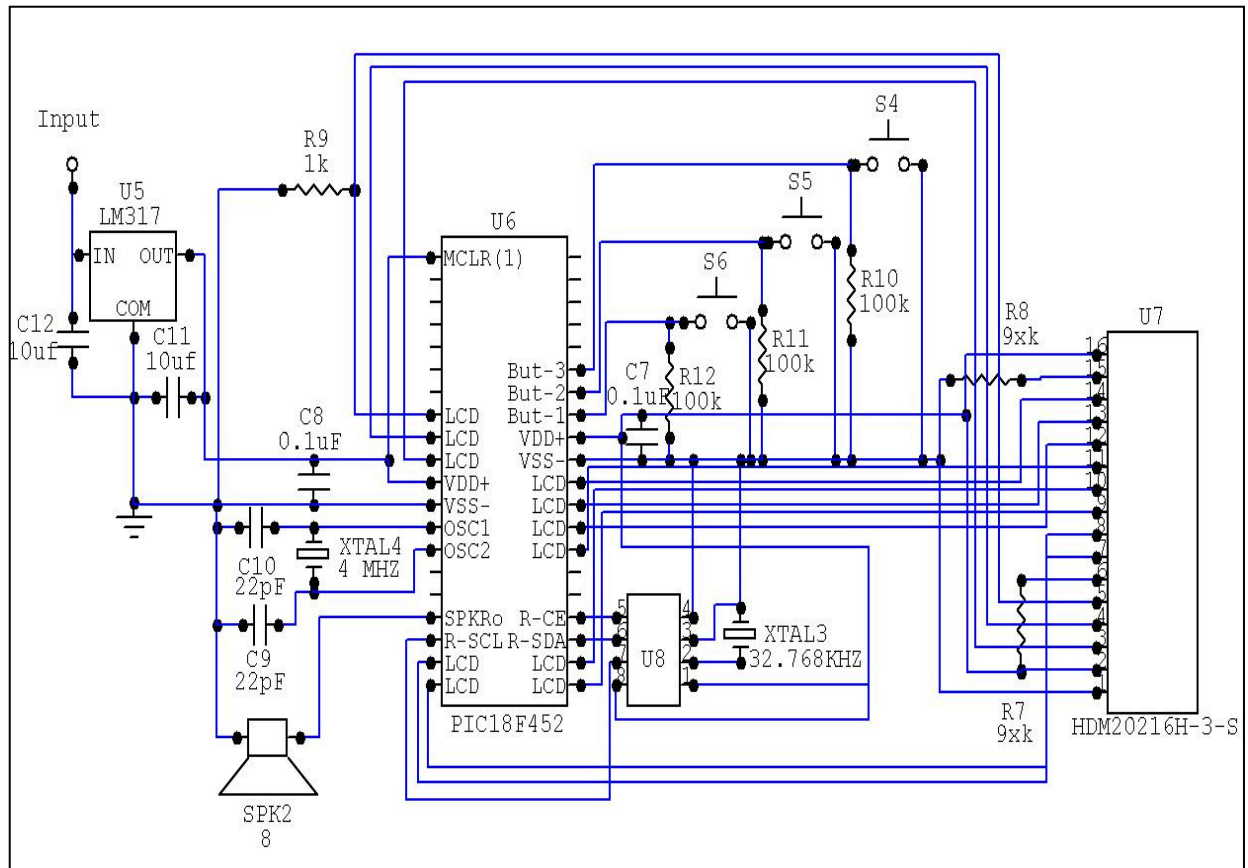
- 20 different alarm blocks
- 6 Types of alarm settings
- LCD screen
- Menu type interface
- 1/3 the size of normal clocks
- Can be battery operated.



Electronic Engineering Technology
 1000 KLO Road, Kelowna, BC, Canada V1Y 4X8
 Tel: (250) 762 5445 ext 4376
<http://www.okanagan.bc.ca/technologies>

Technical Specifications

- Onboard Real-time clock
- Onboard PIC18F452 microcontroller
- Standard three button clock interface



Schematic of the Clock

Supervisors: Mr Nadir Ould Khessal

Project Group: Mr Randy Siebring